

# MAGNETAR ANGLE DOT 2CM

LED\_Low voltage family IP20 IK05



T<sub>a</sub>25

5



**THE FAMILY OF LIGHT ANGLE DOT LINEAR LED OPERATING AT 18W, 48 VDC INPUT.  
DELIVERING OUT STANDING PERFORMANCE OF 1800LM.**

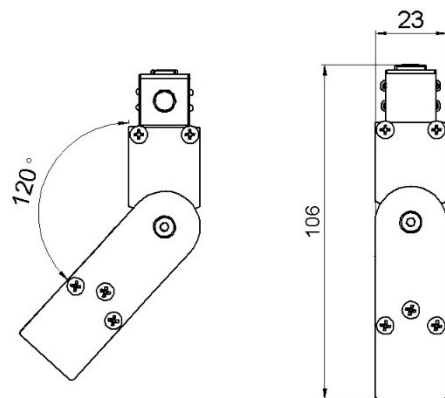
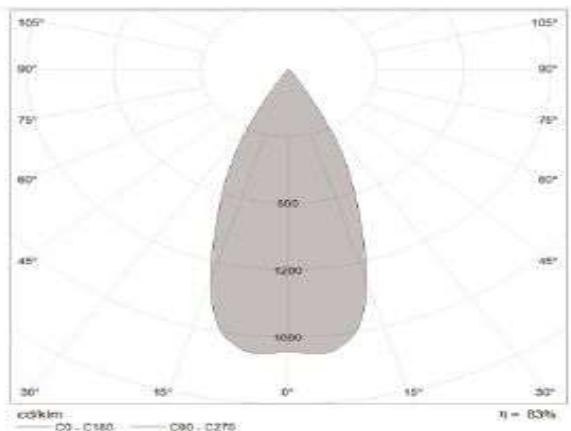
## Technical description

Magnetic track Angle Dot linear luminaire with several optic element makes an impact with their streamlined design and generate base lighting that illuminate's objects and rooms especially evenly. This light can be rotated 350 degrees. Body material is extruded aluminum and diffuser is UGR<19. Quick installation system on the track using magnets. Class I electrical, IP20 (IP54 only for option). Total power: 18 w. (DALI control an option only). LED color temperature is 3000-6000 kelvin (warm white). Chromaticity tolerance (initial Macadam: 3). Color rendering Ra>80. Product can be produced in 210, 315, 420, 630 mm.



## Application

- Decorative
- Art gallery
- Hotel
- Office
- House



Correlated color temperature: 3000-6000 kelvin  
Rated median useful life: 50000h L70 at 25°C  
Luminaire input power: 18 w

Dimensions: 23 x 106 x 315 mm (210, 420, 630 mm)  
Total power: 18 w (12, 24, 36w)  
Luminaire luminous flux: 1800 lm (1200, 2400, 3600 lm)  
Luminaire efficacy: 100 lm/w  
Weight: 0.7 kg

## Mounting and installation

Quick installation system on the track using magnets. That embedded in luminaire